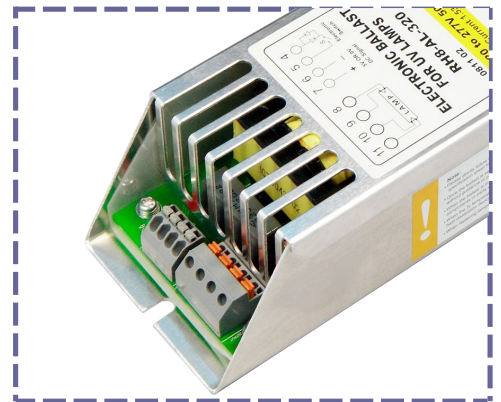


TYPE : RH8-AL-320 VER:A

Preheat Start Ballast
AC Source : 198~305V 50/60Hz

Power : 200~320W

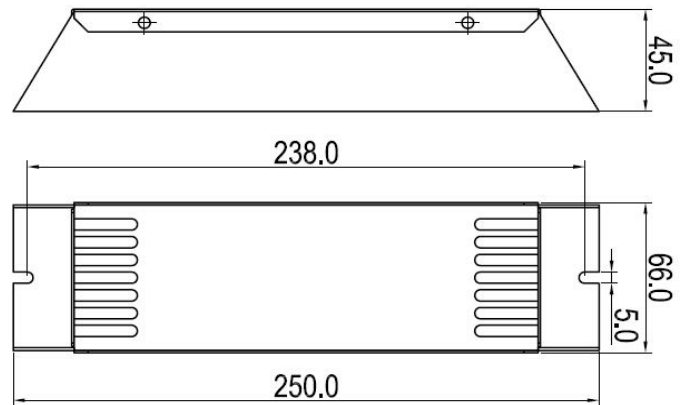
Product Picture



Product Label (Label Can be Customized)



Product Dimensions



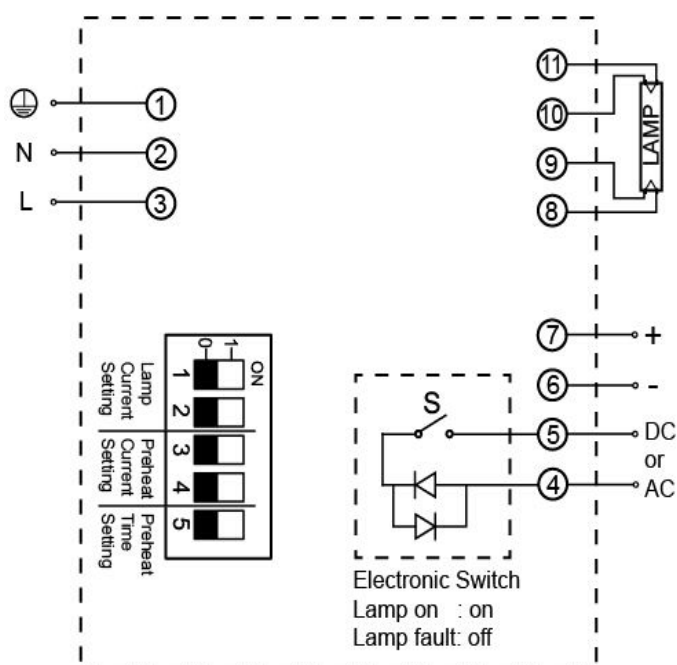
TYPE : RH8-AL-320 VER:A

Page : 2 OF 3

Preheat Start Ballast
AC Source : 198~305V 50/60Hz

Power : 200~320W

Wiring Diagram



Electrical Specification

Input Mains Voltage: 220~277V±10%
 Input Line Frequency: 47~63Hz
 Input Current: Max.1.53A at 230Vrms
 Input Power: 215~340W
 Power Factor: 0.99 typ.
 Output Frequency: 30~38KHz
 Crest Factor: <1.5
 Current THD: <15% typ.
 Preheat Time: Optional 12S,20S
 Preheat Current: Optional 1.5A, 2.0A
 Output Current: Optional 1.8A, 2.1A typ.
 Lamp Power: 200~320W (Max. 320W)
 Lamp Type: 200~240W/1.8A
 200~320W/2.1A

Efficiency: 94% Max. load
 Status Indication: Green and red LED
 Signal Output: Max.5V/DC, Max.5mA
 Electronic Switch: Vmax.32V/AC,50V/DC,I_{max}.50mA
 Protections: Lamp Open / Fault
 T_c-temperature: Max. 70°C
 T_a-temperature: -5~40°C
 Storage: -40~85°C
 Approvals: CE (LVD EMC)
 IP Code: IP20
 Dimensions: 250×66×45mm

Features & Functions

- Preheat Start
- Limiting Current and Power
- Lamp Open Protection
- Lamp Fault Protection
- Status Indication:
 - ▶ Lamp status indication via LED indicators
green LED = lamp on red LED = lamp fault
 - ▶ DC 5V Signal
Lamp on: Max.5V/DC Max.5mA, Lamp fault: 0V
 - ▶ Electronic Switch
Lamp on: On , Lamp fault: Off
 - ▶ DC 5V Output or Electronic switch can only be chosen one at the same time.

Note

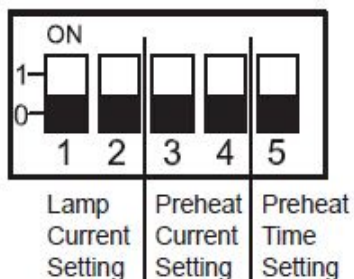
- ▶ Once the DIP is setted up, please do not make any change, otherwise the lamps may be damaged.
- ▶ When the T_c temperature is over 70°C, please add a heat-dissipation device.

TYPE : RH8-AL-320 VER:A

Preheat Start Ballast
AC Source : 198~305V 50/60Hz

Power : 200~320W

Operating Instructions



DIP-switch Settings

Lamp Current Switches set to	Preheat Current Switches set to	Preheat Time Switches set to
00=1.8A	00=1.5A	0=12S
01=2.1A	01=2.0A	1=20S

Recommended DIP Setting

Lamp Current DIP Position	Preheat Current DIP Position	Preheat Time DIP Position	Lamp Power DIP Position	Lamp Type
00=1.8A	00=1.5A	0=12S	Max.320W	GPHA1554T6L TUV240W/1.8A
01=2.1A	01=2.0A	1=20S	Max.320W	NNI300/147XL TUV325WXPTHO/2.1A

Product Packing Information

Article No.	Type	Inner Box		Carton			Pallet		
		Size [mm]	Weight [kg]	Quantity [pcs]	Size [m³]	Weight [kg]	Quantity [pcs]	Size [m³]	Weight [kg]
8000081102	RH8-AL-320	255*77*57	0.70	18	0.031	13.41	648	1.36	495

Similar Product Ordering Information

Article No.	Type	Lamp Power	Lamp Type
8000081101	RH8-1000-155	100~1500W	GPH1554T5HO GHO64T5 TUV64T5HO TL100W/0.85A
8000081102	RH8-AL-320	200~320W	200~240W/1.8A 200~320W/2.1A
8000081105	RH8-AL-200	100~200W	100~200W/1.2A 、 1.5A 、 1.8A 、 2.1A
8000082213	RL8-425-2/75	21~79W	GPH436~GPH1630T5 G36T5 G48T5 G64T5 G67T5/0.42A